

TMRW7A Torque Motor

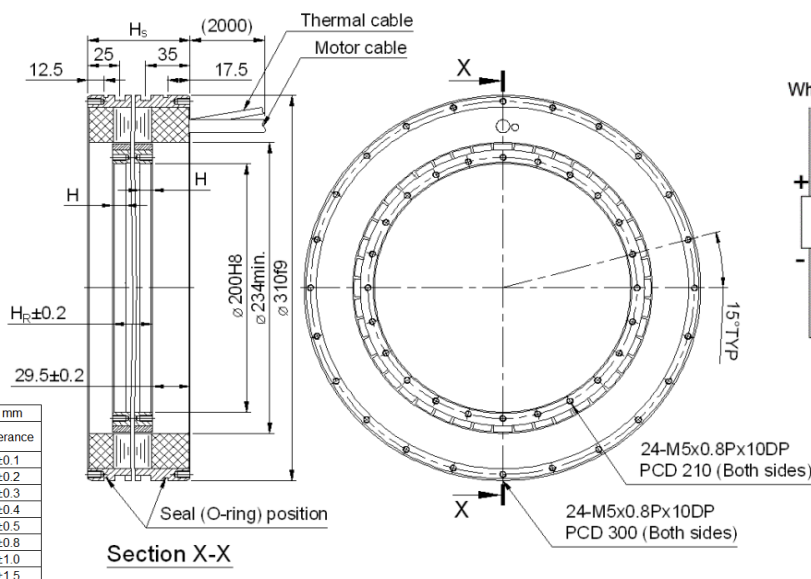
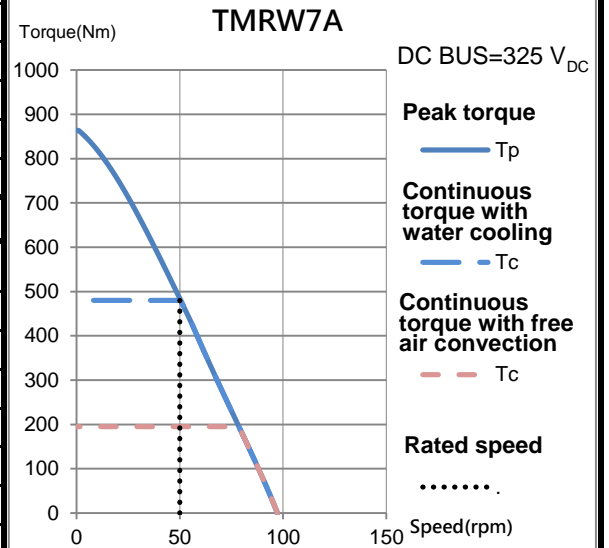
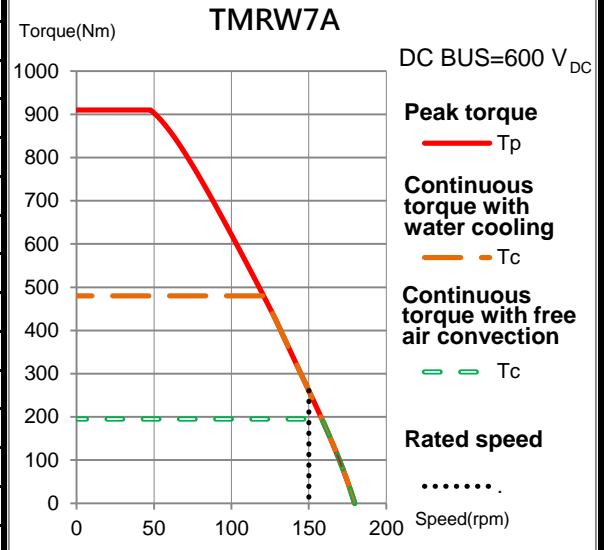
Electrical specifications

Winding code : SA	Symbol	Unit	Free air convection	Water cooling
Continuous torque	T_c	Nm	195	480
Continuous current	I_c	A_{rms}	6	15
Stall torque	T_s	Nm	137	336
Stall current	I_s	A_{rms}	4.2	10.5
Peak torque(for 1sec.)	T_p	Nm	559.6	910
Peak current(for 1sec.)	I_p	A_{rms}	18	40.5
Torque constant	K_t	Nm/Arms	32.56	
Electrical time constant	T_e	ms	5.6	
Resistance (line to line at 25°C)	R_{25}	Ω	7.52	
Inductance (line to line)	L	mH	42.07	
Number of poles	2p		44	
Back emf constant (line to line)	K_v	Vrms/rad/s	18.8	
Motor constant (at 25°C)	K_m	Nm/ \sqrt{W}	9.68	
Thermal resistance	R_{th}	K/W	0.23	0.037
Thermal sensor			PTC SNM100+SNM120+Pt1000	
Max. DC BUS		V_{DC}	750	
Inertia of rotor	J	kgm^2	0.079	
Thermal time constant	T_{th}	s	3300	120
Max. continuous power dissipation	P_c	W	557	3483
Max. peak power dissipation	P_p	W	25391	
Rated speed(at 600VDC)		rpm	150	

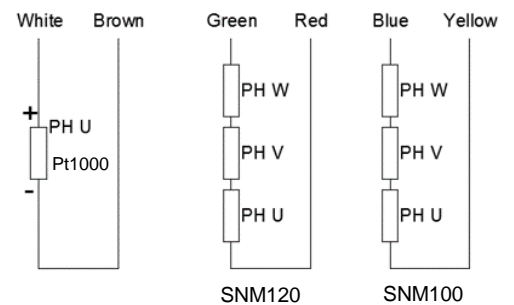
Mechanical specifications

	Symbol	Unit	Free air convection	Water cooling
Mass of rotor	M_r	kg	8.1	
Mass of stator	M_s	kg	30.9	
Height of stator	H_s	mm	150	
Height of rotor	H_r	mm	101	
Length of rotor centring fit	H	mm	15	
Water temperature difference for P_c	$\Delta\theta$	K	-	5
Minimum water flow	q	l/min	-	10
Max. pressure drop	Δp	bar	-	1

T-N curve



Thermal sensor



General tolerance mm	
Nominal dimension	Tolerance
~ 6	± 0.1
> 6 ~ 30	± 0.2
> 30 ~ 120	± 0.3
> 120 ~ 300	± 0.4
> 300 ~ 600	± 0.5
> 600 ~ 1200	± 0.8
> 1200 ~ 2400	± 1.0
> 2400	± 1.5

Motor wire table	
Color or wire no.	Signal
U/L1	PH U
V/L2	PH V
W/L3	PH W
Green/Yellow	GND

Except dimensions, all the specifications in the table are in $\pm 10\%$ of tolerance

Version: 2.00

This drawing is only for reference, detail dimensions please refer to approval drawing.

Date: 2020/10/23