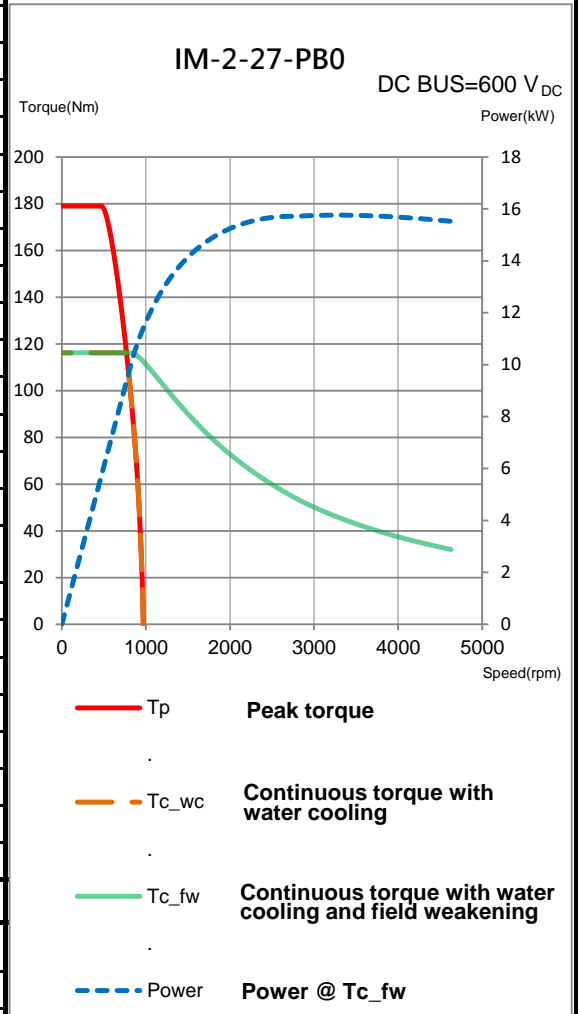


IM-2-27-PB0

Electrical specifications

Winding code : PB	Symbol	Unit	Field weakening & Water cooling
Continuous torque	T_c	Nm	116.2
Continuous current	I_c	A_{rms}	20.4
Stall torque	T_s	Nm	98
Stall current	I_s	A_{rms}	16.3
Peak torque(for 1sec.)	T_p	Nm	179
Peak current(for 1sec.)	I_p	A_{rms}	51
Torque constant	K_t	Nm/A_{rms}	6.58
Electrical time constant	T_e	ms	7.3
Resistance (line to line at 25°C)	R_{25}	Ω	1.7
Inductance (line to line)	L_d / L_q	mH	12.4 / 18.23
Number of poles	2p		22
Back emf constant (line to line)	K_v	$V_{rms}/rad/s$	3.8
Motor constant (at 25°C)	K_m	Nm/\sqrt{W}	4.12
Thermal resistance	R_{th}	K/W	0.099
Thermal sensor			PTC SNM100+SNM130+Pt1000
Max. DC BUS	V_{DC}		750
Inertia of rotor	J	kgm^2	0.0107
Thermal time constant	T_{th}	s	150
Max. continuous power dissipation	P_c	W	1498
Max. peak power dissipation	P_p	W	9363
Max. speed(at 600VDC)		rpm	4600
Based speed(at 600VDC)		rpm	851
Rated speed(at 600VDC)		rpm	4600

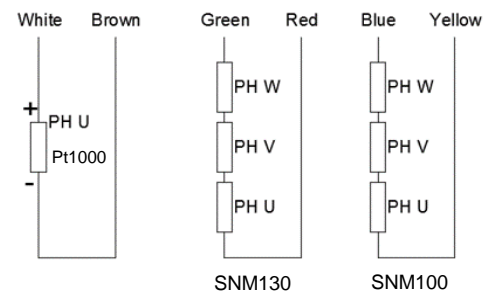
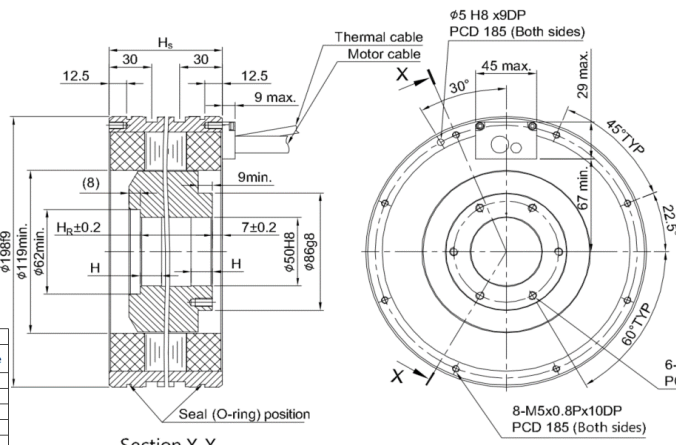
T-N curve



Mechanical specifications

	Symbol	Unit	Field weakening & Water cooling
Mass of rotor	M_r	kg	5.43
Mass of stator	M_s	kg	11.2
Height of stator	H_s	mm	120
Height of rotor	H_r	mm	91
Length of rotor centring fit	H	mm	20
Water temperature difference for P_c	$\Delta\theta$	K	5
Minimum water flow	q	l/min	4.3
Max. pressure drop	Δp	bar	1

Thermal sensor



General tolerance mm	
Nominal dimension	Tolerance
~ 6	±0.1
> 6 ~ 30	±0.2
> 30 ~ 120	±0.3
> 120 ~ 300	±0.4
> 300 ~ 600	±0.5
> 600 ~ 1200	±0.8
> 1200 ~ 2400	±1.0
≥ 2400	±1.5

Motor wire table	
Color or wire no.	Signal
U/L1	PH U
V/L2	PH V
W/L3	PH W
Green/Yellow	GND

Except dimensions, all the specifications in the table are in ±10% of tolerance

Version: 2.00

This drawing is only for reference, detail dimensions please refer to approval drawing.

Date: 2020/10/23