

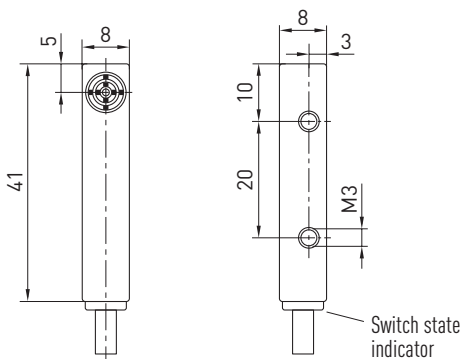
Limit Switch Set

8-11-0276 (2m)

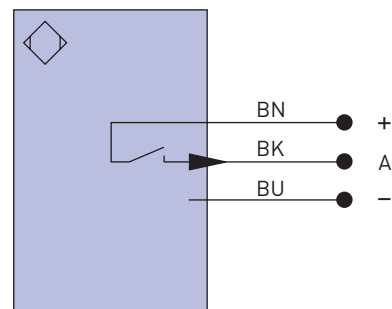
2018-06

Reference switch specifications	
Inductive	
Switching distance	2 mm
Correction factor V2A/brass/aluminium	0.73 / 0.49 / 0.39
Installation type	Flush
Switch hysteresis	< 15 %
Electrical	
Power supply	10 to 30 VDC
Power input (U _b = 24 V)	< 6 mA
Switching frequency	1,500 Hz
Temperature drift	< 10 %
Operating temperature	-25 to +80 °C
Voltage drop switch output	< 2.5 V
Switching current	100 mA
Residual current voltage drop	< 100 µA
Short circuit protection	Yes
Reverse polarity protection	Yes
Overload protection	Yes
Mechanical	
Housing material	Plastic
Full encapsulation	Yes
Protection class	IP67
Connection type	Cable
Cable length	2 m
Protection class	III

Dimensions



Wiring diagram



Explanation of symbols

- + Power supply „+“
- Power supply „0V“
- Ā Switching output/NO

Wire colours

- BN Brown
- BK Black
- BU Blue

Parts list for limit switch set			
Position	Article number	Description	Number of pieces
1	8-14-0010	Limit switch with 2 m cable	1
2	8-12-0011	Bracket for limit switch	1
3	ISO7380-M3 × 8-10.9	Screw ISO7380; M3 × 8-10.9	2
4	ISO7380-M3 × 5-10.9	Screw ISO7380; M3 × 5-10.9	2
5	DIN562-M3-ZN	Hex nut DIN562-M3	2
6	N0110-S3-FST	Lock washer (Schnorr) for M3	4
7	8-40-0305	Data sheet for limit switch	1